

GATOR JAW™ CLAMP

"Taking a bite out of unsafe material handling!"

SAFER • FASTER • EASIER



**Converts from a Lift Truck
to a Clamp Truck in Seconds**



**Poly Non-Slip
Hold-Down Pads**



**Holds Down Many Different
Types and Sizes of Products**



Aids in Picking Loads



(866) 690-3605

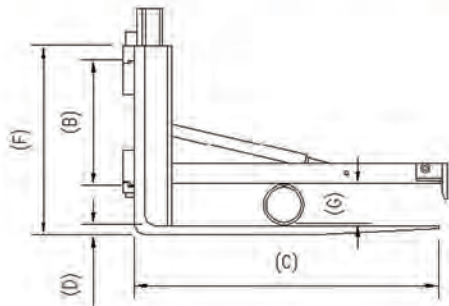
www.combiliftdepottx.com

**24501 Hufsmith Kohrville Rd #700
Tomball, TX • 77375**



Order Dimensions

"Taking a bite out of unsafe material handling!"

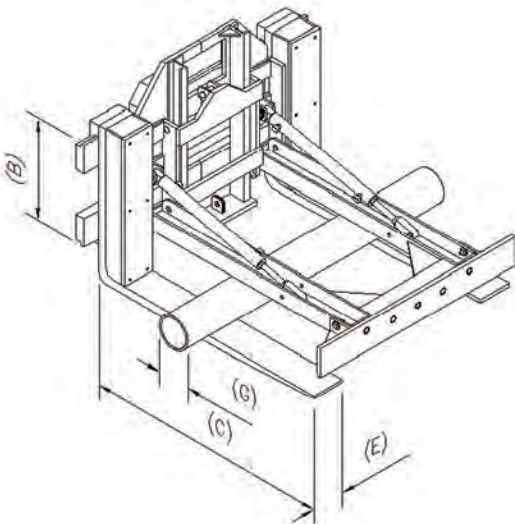


(A) Carriage Width: _____

(B) Carriage Height: _____

(C) Fork Length: _____

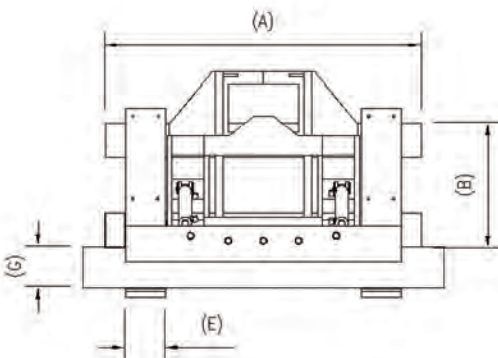
(D) Fork Thickness: _____



(E) Fork Width: _____

(F) Shank Height: _____

(G-1) Maximum Pipe Dia.: _____



(G-2) Minimum Pipe Dia.: _____



(866) 690-3605

www.combiliftdepottx.com

24501 Hufsmith Kohrville Rd #700
Tomball, TX • 77375