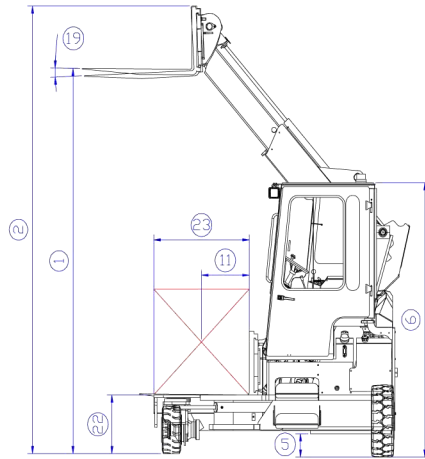
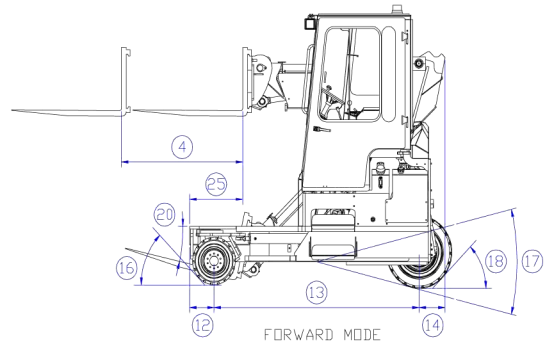
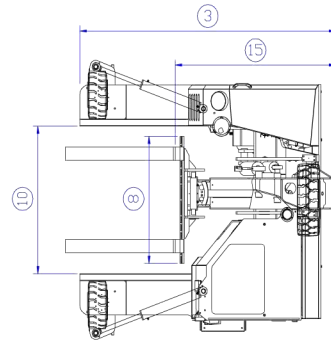


COMBILIFT – MODEL C6000 TeleCombi - SPECIFICATIONS -

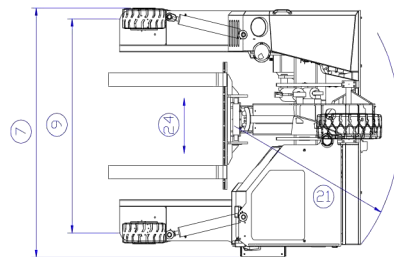
Ref.	MACHINE SPECIFICATIONS	STANDARD
1	Max. Lift Height	143"
2	Max. (Boom raised & extended)	179"
3	Overall Length (Excluding fork)	105.5"
4	Reach (Boom horizontal)	96.5"
5	Ground clearance	8"
6	Height Over Cab	101.5"
7	Width	93"
8	Outside Spread of Fork Arms	47.2"
9	Track Front	80"
10	Frame Opening	55"
11	Load Center Distance	19.7"
12	Overhang Front	10"
13	Wheel Base	84.6"
14	Overhang Back	10.6"
15	Length From Face of Fork	66"
16	Approach Angle	45°
17	Ramp Angle	29°
18	Departure Angle	45°
19	Forward Tilt	3°
20	Backward Tilt	12°
21	Minimum Outside Radius	68.4"
22	Platform Height	21.5"
23	Platform Length	39.4"
24	Side-Shift	4"
25	Platform Length (Boom Horizontal)	21.9"
A	Capacity @ Load Center	6000lb @ 19.7"
B	Unladen Weight	13860lb
C	Max. Ground Speed	10 mph
D	Gradability	15%
E	V2003-T Kubota Diesel / 3 Ltr. GM LPG	44KW / 48KW
F	Fork Section 50mm (2") x 125mm (5")	45.3"
G	200/50 x 10 Front Tyre	OD 450mm / W 200mm
H	27 x 10-12 Rear Tyre	OD 680mm / W 255mm
I	Standard Colour	Green & Grey
J	Suspension Seat	KAB Model 116



SIDEWAYS MODE



FORWARD MODE



Features include

- Hydraulic Mounted Cabin
- Load Sensing Steering
- 4-Way Lever Positioning of Wheels
- Multi-Direction Operation
- 3 Wheel Hydrostatic Drive
- Hydraulic Oil Cooler



Combilift Depot

**24501 Hufsmith Kohrville Rd #700
Tomball, TX 77375**

**Phone: (281) 516-3399
Toll Free: (866) 609-3605**

www.combiliftdepottx.com